

Microsoft  
Azure

Certified



## Main Features

- Intel® Apollo Lake N3350/N4200/J3455 processor
- 3.5" MB size as slim chassis design
- Support HDMI2.0 output
- Fanless design
- mini-PCIe slot support Wi-Fi and LTE module

## Product Overview

Powered by Intel® Apollo Lake processor, the Neu-X100 fanless embedded player can handle 2 independence display output. The Neu-X100 supports HDMI display, USB 3.0 ports, and a RS232/RS422/RS485 interface, is an ideal embedded player to optimize information visualization, convey brand messages, customer engagement, and smart retail management efficiencies to increase in-store traffic and sales. Also could be applicable as gateway for smart city. The slim fanless design with extended durability further covers usages like endless aisles, QSRs, drive-thru kiosks, bus stops, digital transit information signs, and information stands.

## Specifications

### CPU Support

- Intel® Apollo Lake N3350 processor (2.40GHz,6W)
- Intel® Apollo Lake N4200 processor (2.50GHz,6W)
- Intel® Apollo Lake J3455 processor (2.30GHz,10W)

### Graphic

- Intel® HD Graphics 500 (with N3350/J3455)
- Intel® HD Graphics 505 (with N4200)

### Main Memory

- 1x 204-pin SO-DIMM socket, support up to DDR3L 1866MHz, non-ECC, un-buffered memory up to 8GB

### I/O Interface-Front

- 2 x RJ45 with LEDs for Gigabit LAN
- 2 x HDMI 2.0, resolution 4096 x 2160 60Hz
- 1 x COM port (RS232/RS422/RS485)
- 1 x DC-in Jack with lock
- 2 x USB 3.0

### I/O Interface-Rear

- 2 x Antenna hole
- 1 x Power button with LED
- 1 x Storage active LED

### Internal I/O

- 1 x COM port connector (RS232)
- 1 x Power connector
- 1 x TPM module connector
- 1 x Line out audio connector

### Expansion

- 1 x mini-PCIe full-size connector, support Wi-Fi/LTE module
- 1 x SIM slot on board (full-size)

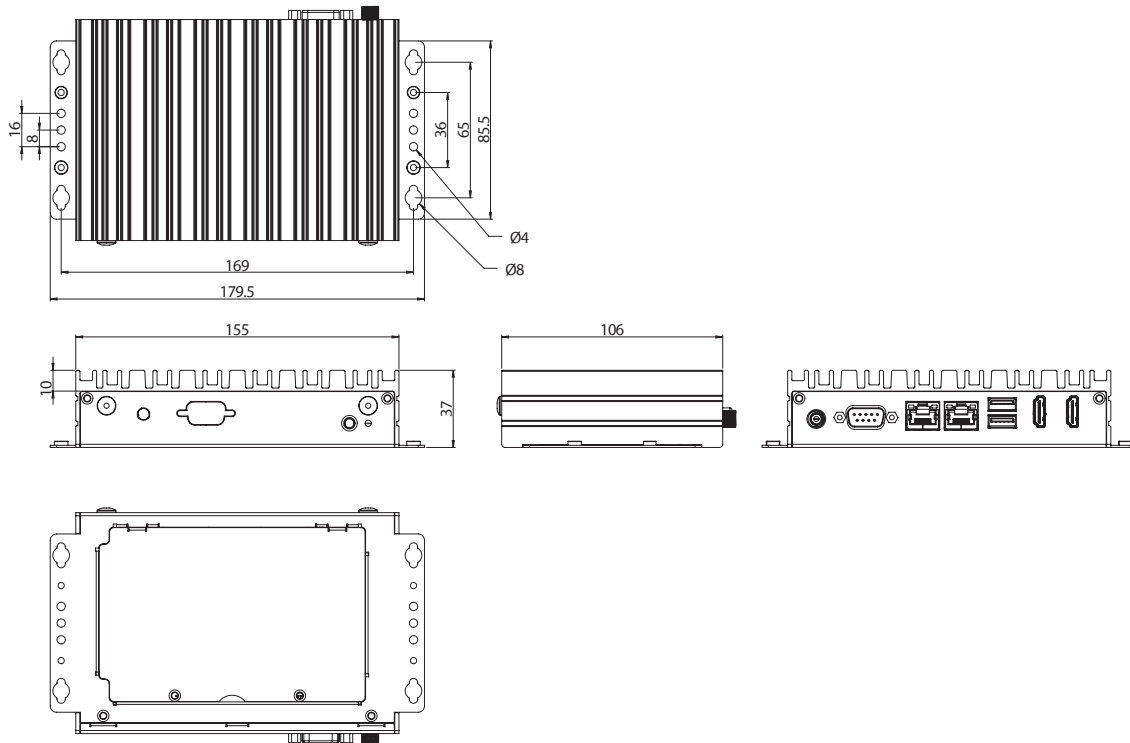
### Storage

- 1x M.2 M key 2242 SSD

### Power Supply

- 1 x External 45W AC/DC power adapter with lock
- Input: 100VAC to 240VAC
- Output: DC+19VDC

## Dimension Drawing



### Environment

- Operating temperature: -5°C to 50°C
- Storage temperature: -20°C to 80°C
- Humidity: 95% (non-condensing)

### Certification

- CE (EMC EN55032 + EN55035)
- FCC Class A (EMI Part 15B)

### Dimensions

- 155mm (W) x 106mm (D) x 37mm (H)

### Operating System

- Win10 64-bit
- Linu x 4.1

## Ordering Information

- ♦ **Neu-X100-N3350 (P/N: 10W10X10000X4)**  
Intel® Apollo Lake N3350 processor slim and fanless system
- ♦ **Neu-X100-N4200 (P/N: 10W10X10001X4)**  
Intel® Apollo Lake N4200 processor slim and fanless system
- ♦ **Neu-X100-J3455 (P/N: 10W10X10002X4)**  
Intel® Apollo Lake J3455 processor slim and fanless system

### AI Booster Card

- ♦ **AIBooster®-X1 (P/N: 88W10X10000X0)**  
Intel® Movidius™ Myriad X VPU, mini-PCIe module (1 x MA2485)
- ♦ **AIBooster®-X2 (P/N: 88W10X10001X0)**  
Intel® Movidius™ Myriad X VPU, mini-PCIe module (2 x MA2485)