

APPC 1240T

12.1" TFT SVGA 4:3 Flush Panel PC with Intel® Celeron® J1900, up to 2.42GHz,
Touch Screen, 4GB DDR3L, 3 x USB, 2 x COM



Main Features

- 4:3 12.1" SVGA fanless LED panel computer
- Intel® Celeron® J1900, Quad Core, low consumption CPU
- Flush panel by 5-wire touch screen
- Dual GbE/2nd display-VGA/Line-out
- 3 x USB/2 x mini-PCIe sockets/1 x CFast/2 x RS232/422/485
- DDR3L 4GB/2.5" HDD bracket
- IP65 compliant front panel
- Mounting support: panel/wall/stand/VESA 100mm x 100mm
- Wide range power input 12V~30VDC

Product Overview

The 12.1" fanless panel PC APPC 1240T incorporating an industrial motherboard is intended for versatile industrial applications. APPC 1240T has a touch screen LED backlight LCD panel with 800 x 600 (SVGA) resolution and 450-nit brightness. The front panel which adopts flush design and complies with IP65 standard makes it the perfect fit in industrial applications.

This APPC series supports WWAN/WLAN expansion and others via dual Gigabit Ethernet connectors, two mini-PCIe slots and one SIM card holder. With support for wide power input of 12~30VDC, this APPC series can gain a strong foothold in industrial field and machine devices. In addition, this APPC series can hook 2nd display via a VGA port for dual independent display. APPC 1240T has two isolated RS232/422/485 ports.

Specifications

Panel

- LCD size: 12.1", 4:3
- Resolution: SVGA 800 x 600
- Luminance: 500cd/m²
- Contrast ratio: 700
- LCD color: 16.7M
- Viewing angle: 65 (U), 75 (D), 80 (L), 80 (R)
- Backlight: LED

Touch Screen

- 5-wire resistive (flush panel type)
- Light transmission: 80%
- Interface: USB

System

- CPU: on-board Intel® Celeron® Quad Core processor J1900, up to 2.42GHz, 2M L2 cache
- BIOS: AMI BIOS
- System memory: 2 x 204-pin DDR3L SO-DIMM socket, 4GB DDR3L (default), support up to 8GB DDR3L-1066/1333, non-ECC and un-buffered
- Storage device:
 - 1 x External locked CFast socket
 - 1 x Hard drive bay: optional 1 x 2.5" SATA HDD or 1 x SATA DOM

- Watchdog timer: Watchdog timeout can be programmable by software from 1 second to 255 seconds and from 1 minute to 255 minutes (tolerance 15% under room temperature 25°C)
- H/W status monitor: monitoring system temperature, and voltage
- Expansion: 2 x mini-PCIe sockets (support optional Wi-Fi, 3.5G module)

Rear I/O

- Ethernet: 2 x RJ45
- 2nd display VGA port: 1 x DB15
- Audio port: 1 x Line-out
- USB: 2 x USB 2.0, 1 x USB 3.0
- Power switch
- Reset button
- 2-Pin remote power on/off switch
- COM #1: RS232/422/485 w/ 2.5kv isolated
- COM #2: RS232/422/485 w/ 2.5kv isolated

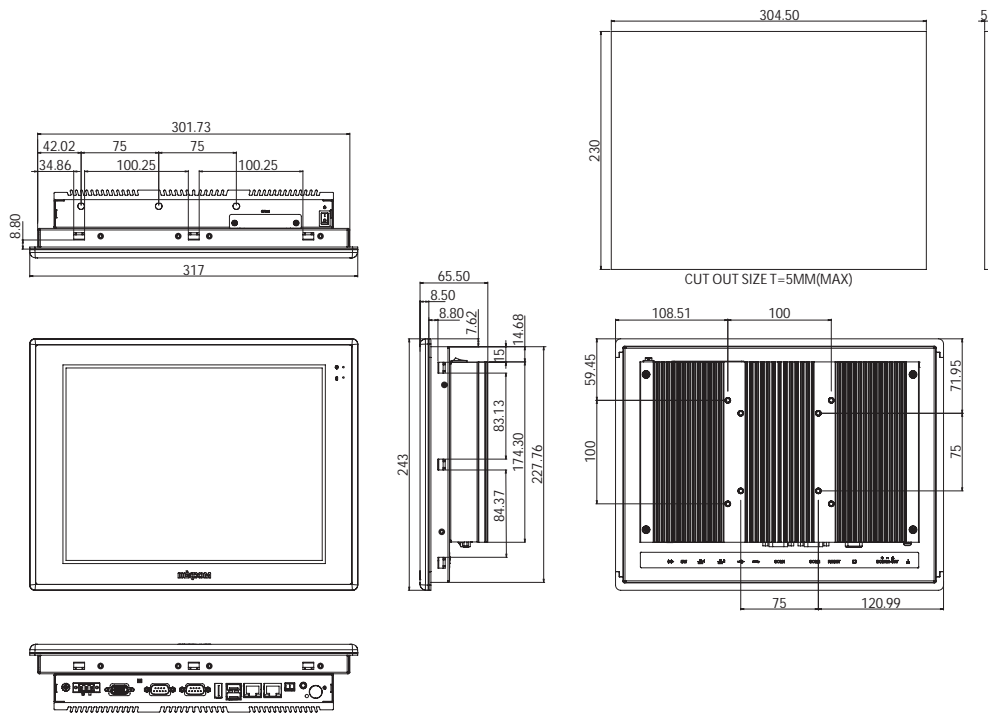
Audio

- HD audio codec: realtek ALC886-GR
- Audio interface: Line-out

Ethernet

- LAN chip: dual Intel® I210AT Gigabit LAN
- Ethernet interface: 10/100/1000 Base-Tx Ethernet compatible

Dimension Drawing



Mechanical & Environment

- Color: Pantone black\RAL 15 00 front bezel w/ Pantone 400C\RAL 090 80 10 metal style membrane and black silver PC box
- IP protection: IP65 front
- Mounting: panel/wall/stand/VESA 100mm x 100mm
- Power input: 12V~30VDC
- Power adapter: optional AC to DC power adapter (+12V, 60W)
- Vibration:
 - IEC 68 2-64 (w/HDD)
 - 1Grms @ sine, 5~500Hz, 1hr/axis (HDD operating)
 - 2Grms @ sine, 5~500Hz, 1hr/axis (CFast operating)
 - 2.2Grms @ random condition, 5~500Hz, 0.5hr/axis (non-operating)
- Shock:
 - IEC 68 2-27
 - HDD: 20G@wall mount, half sine, 11ms
- Operating temperature: -5°C~60°C
- Storage temperature: -20°C~75°C
- Operating humidity: 10%~90% relative humidity, non-condensing limits to be at 90% RH at max 50°C
- Dimension: 317 x 243 x 65.5 mm
- Weight: 3.6Kg

Certifications

- CE approval
- FCC Class A

OS Support Lists

- Windows 10 64-bit
- Windows 8 32-bit/64-bit
- Windows 7 32-bit/64-bit
- WinCE 7.0

Ordering Information

Barebone

- **APPC 1240T-B (P/N: 10IA1240T10X0)**
12.1" SVGA LED backlight touch panel PC, Celeron® J1900 up to 2.42GHz, touch screen, 4GB DDR3L, 2 xRS232/422/485

Options

- **12V, 60W AC/DC power adapter w/o power cord (P/N: 7400060031X00)**